

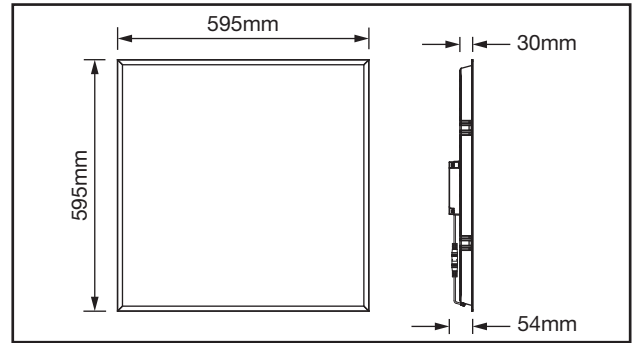
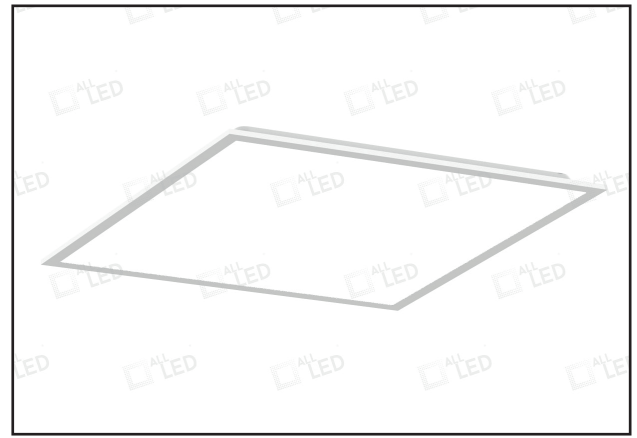
APNL632A

32W IP20 600x600 Backlit LED Panel
TP(A) Rated



PRODUCT FEATURES

- White Painted Frame (RAL9003)
- TP(A) Flame Retardant Fire Rating
- Maintenance Free
- UV Stable
- Flicker Free
- UGR <19 Glare Rating
- 5 Year Guarantee
- Emergency Option Available - APNL632A/**/EM, APNL632A/**/0-10/EM, APNL632A/**/DALI/EM
- 0-10V Or DALI Dimmable Options Available - APNL632A/**/0-10, APNL632A/**/DALI
- Pre-Wired LED Driver & DC Connector



TECHNICAL SPECIFICATIONS

Product Code	APNL632A/40	APNL632A/60
Luminous Flux (LM)	≤3900lm	≤4000lm
Useful Luminous Flux (LM)	≤3900lm	≤4000lm
CCT (Kelvin)	4000K	6000K
Beam Angle (°)	120°	120°
SDCM	1.4	1.4
CRI	>80	>80
Peak Intensity (cd)	1360cd	1415cd
Operating Voltage (Vac)	220-240Vac	220-240Vac
Operating Current (A)	0.162	0.162
Output Power (W)	32W	32W
Efficiency %	88%	88%
No Load Power (W)	<0.5W	<0.5W
Power Factor (Pf)	0.966	0.966
Class	II	II
Body Material	Aluminium	Aluminium
Frame Colour	White	White
Switching Cycles	20,000	20,000
Ambient Operating Temperature (°C)	-10°C ~ 45°C	-10°C ~ 45°C
Input Frequency (Hz)	50-60Hz	50-60Hz
Guarantee	5 Years	5 Years
Ingress Protection	IP20	IP20
Lifetime (L70 B50)	30,000 Hrs	30,000 Hrs
Survival Factor	0.9	0.9
Lumen Maintenance Factor	0.9649	0.9649
Displacement Factor	>0.9	>0.9
Flicker Metric (PstLM)	0.01	0.01
Stroboscopic Effect Metric (SVM)	0.007	0.007
UGR Rating	19	19

Standard
APNL632A/**

0-10V Emergency Version
APNL632A/**/0-10/EM

0-10V Version
APNL632A/**/0-10

Emergency Version
APNL632A/**/EM

DALI Emergency Version
APNL632A/**/DALI/EM

DALI Version
APNL632A/**/DALI

